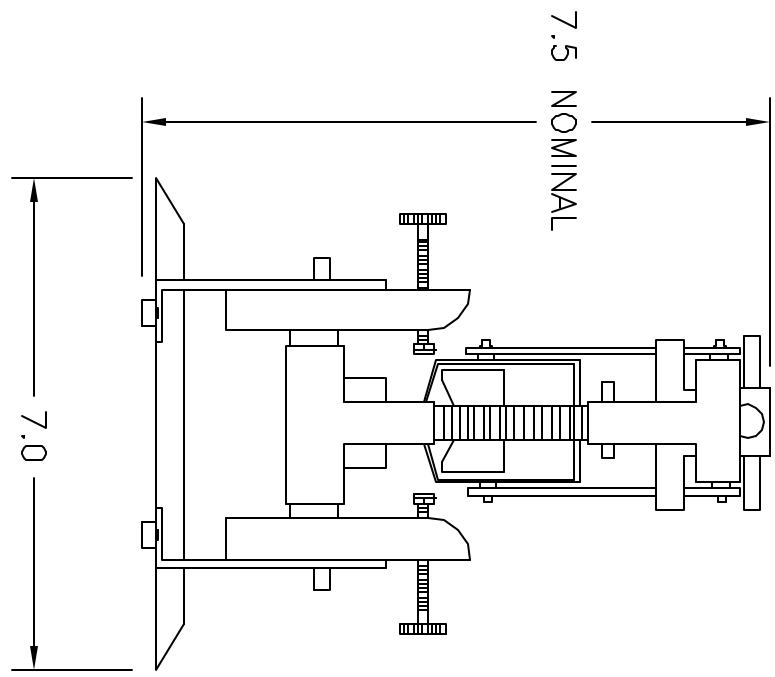
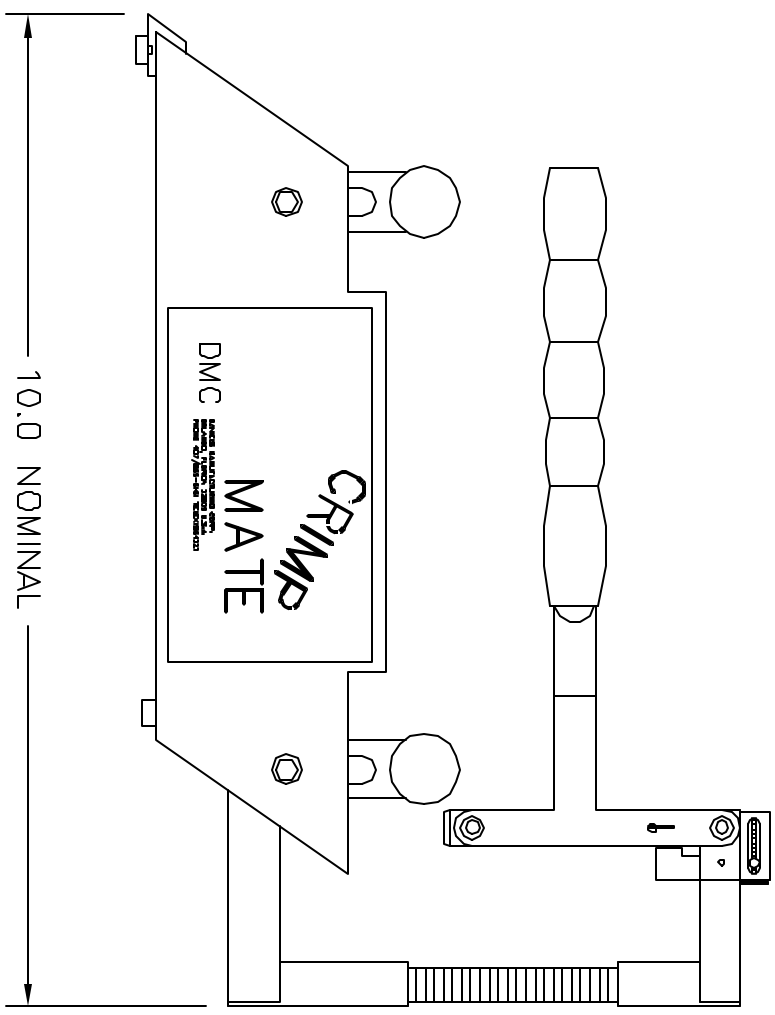


REV	DATE	DESCRIPTION	BY	APP'D
1		ORIGINAL RELEASE		



**UNCONTROLLED DOCUMENT  
WILL NOT BE UPDATED**

RESTRICTED & CONFIDENTIAL		PART NO.		QTY.		DESCRIPTION/REMARKS	
DATE	BY	DATE	BY	DATE	BY	DATE	BY
GENERAL INSTRUCTIONS TO THE USER: THIS DRAWING IS THE PROPERTY OF DMC AND IS NOT TO BE REPRODUCED OR COPIED IN ANY MANNER WITHOUT THE WRITTEN PERMISSION OF DMC. ANY UNAUTHORIZED REPRODUCTION OR COPIING OF THIS DRAWING IS STRICTLY PROHIBITED.		<b>DMC</b> DYNAMIC MANUFACTURING CORP. 11000 W. 11TH AVENUE DENVER, CO 80231		TITLE <b>DMC</b> CRIMP MATE ENVELOPE DRAWING		DATE ISSUED 75-000-ENV 75-000-ENV	
DO NOT SCALE DRAWING						SHEET NO. 1 OF 1 REV. 1	