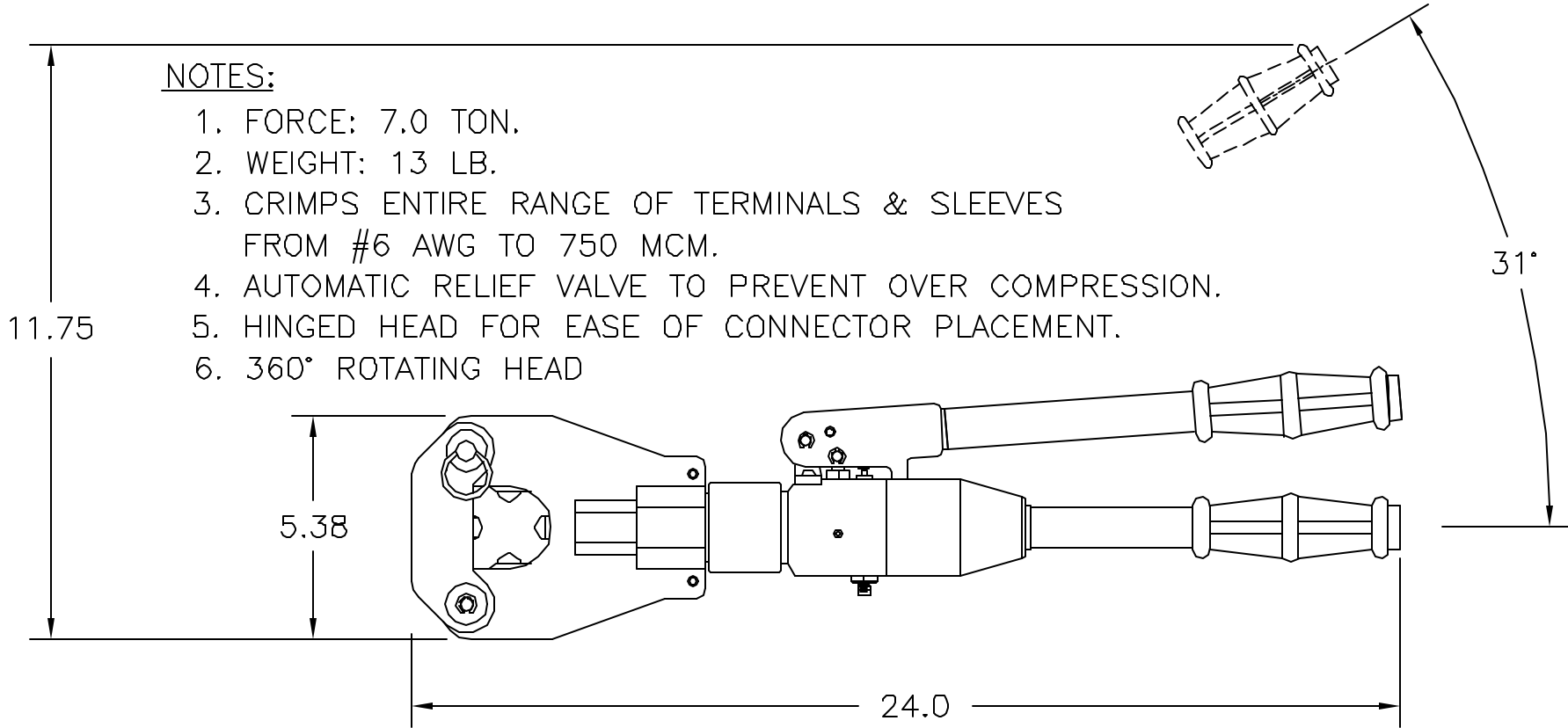


**UNCONTROLLED DOCUMENT
WILL NOT BE UPDATED**

REVISIONS				
REV. SYM.	E.C.O. NUMBER	DESCRIPTION	BY DATE	APP'D DATE
1		ORIGINAL RELEASE	JMC 7-13-00	JWJ 7-13-00

NOTES:

1. FORCE: 7.0 TON.
2. WEIGHT: 13 LB.
3. CRIMPS ENTIRE RANGE OF TERMINALS & SLEEVES FROM #6 AWG TO 750 MCM.
4. AUTOMATIC RELIEF VALVE TO PREVENT OVER COMPRESSION.
5. HINGED HEAD FOR EASE OF CONNECTOR PLACEMENT.
6. 360° ROTATING HEAD



<p>RESTRICTED & CONFIDENTIAL CONFIDENTIAL PROPERTY OF DANIELS MANUFACTURING CORP. NOT TO BE DISCLOSED TO OTHERS, REPRODUCED OR USED FOR ANY OTHER PURPOSE EXCEPT AS AUTHORIZED IN WRITING BY DANIELS MANUFACTURING. MUST BE RETURNED TO DANIELS MANUFACTURING CORP. ON COMPLETION OF ORDER OR OTHER PURPOSES FOR WHICH LENT.</p>	MATERIAL	ITEM	PART NO.	QTY.	DESCRIPTION/REMARKS
	HEAT TREAT	DRN.	JMC	DATE	DANIELS MANUFACTURING CORP. ORLANDO, FLORIDA CAGE 11851
		CHK'D.	JWJ	DATE	
	FINISH	APP'D.	DATE	TITLE 4-INDENT DIELESS HYDRAULIC CRIMP TOOL ENVELOPE DRAWING	
APP'D.		DATE			
DO NOT SCALE DRAWING		SIZE	SCALE	CAD P/N	SHEET OF
		A	NTS	HC134-ENV	1 1
		POSTING		P/N	REV.
				HC134-ENV	1