

DANIELS STANDARD HD51 HYDRAULIC CRIMP TOOL

SEE PAGE 3 FOR IMPORTANT INFORMATION CONCERNING
LIMITED WARRANTY, AND LIMITATION OF LIABILITY

Introduction:

This data sheet covers the proper use of the HD51 hydraulic crimp tool. Read the information contained herein carefully before using the tool.

Description:

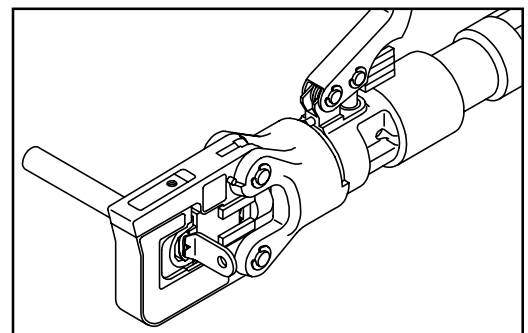
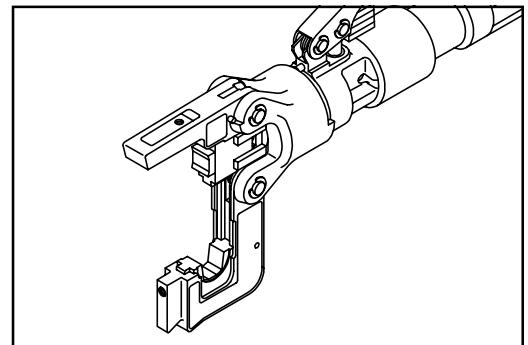
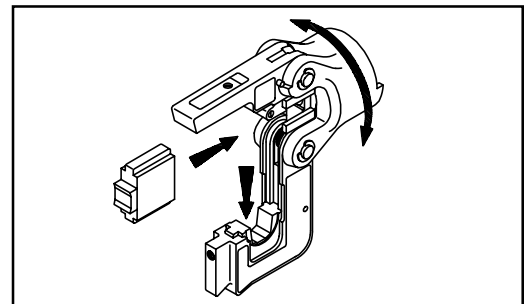
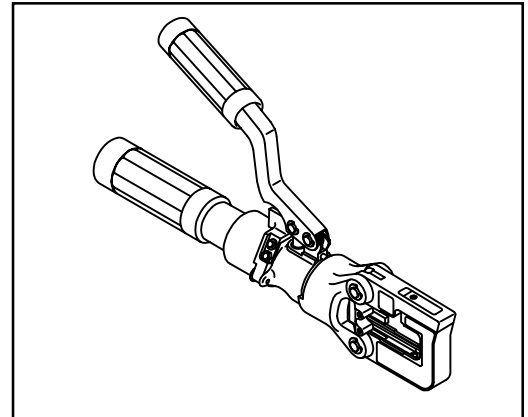
The hydraulic tool is operated by pumping both handles. It can be operated with one hand by laying the stationary handle on a flat surface. It has a force of 5.5 tons and weighs 4.6 Lbs. The tool has an audible "Click" to prevent over-compression. It also has a 180° rotating head for easy accessibility in confined working areas.

Selection of Crimping Die:

Determine proper crimping die set to be used for the crimp. Consult the factory for standard die sets. Custom die sets can be designed by DMC for almost any application.

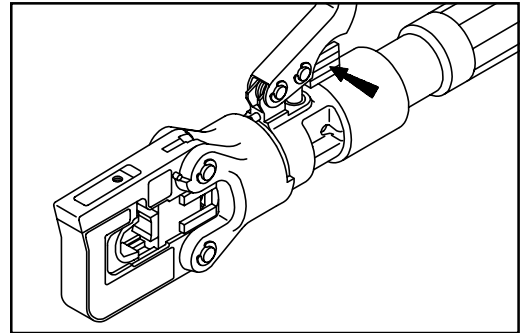
Operating Procedures:

1. Open head and insert crimping dies. The head assembly has two slots to slide the dies in and out easily.
2. Lock the head over the connector and pump the handle until an audible click is heard.

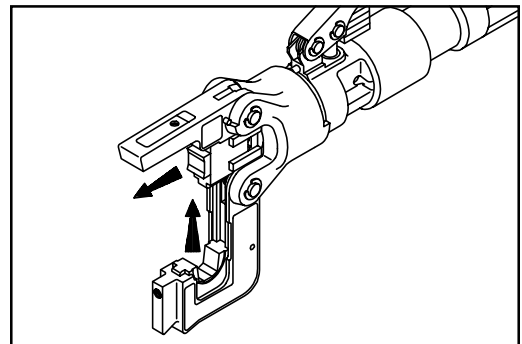


3. Activate the pressure release trigger to retract the hydraulic ram.

Warning: Do not press the pressure release trigger until click is heard and crimp is complete. Damage to tool will occur if mechanism is released before crimp is completed; Do not work the tool without dies.

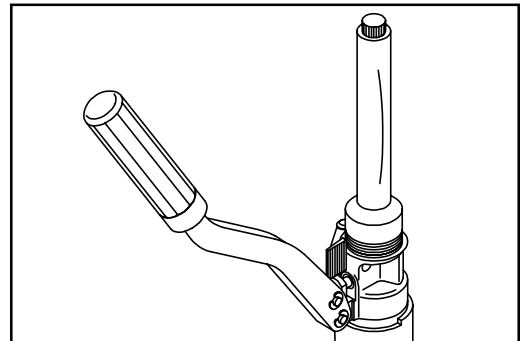


4. To remove the dies, open head and remove dies by sliding along slot.



Refilling the Reservoir and Bleeding the Tool:

1. Fit a set of dies, depress handle until dies are closed, or as far as dies will close.
2. Invert tool and allow air to rise to top of reservoir.
3. Unscrew reservoir cover and remove filler plug, fill with oil.
4. Depress release trigger, excess oil will be ejected from reservoir as ram retracts.
5. Replace filler plug and reservoir cover.
6. Perform two full closures with the tool inverted.



Daniels offers complete refurbishing and recalibration services. DMC also specially engineers and manufactures complete tool kits to satisfy individual customer requirements, such as total aircraft support, general shop maintenance or production, on board ship and vehicle service, etc.

LIMITATION OF LIABILITY

Daniels Manufacturing Corporation (DMC) is not liable for consequential or special damages of any nature or kind resulting from the use, or misuse, of any of its products. Owners and users of (DMC) products assume full responsibility for instructing their employees in the proper and safe use of such products.

LIMITED WARRANTY

Daniels Manufacturing Corporation (DMC) warrants each new product sold by it to be free from defects in material and workmanship under normal use and service. DMC's obligation under this warranty is limited to the free correction or, at DMC's option, the refund of the purchase price of any such product which proves defective in normal service within ninety (90) days after delivery to the first user, provided that the product is returned to DMC with all transportation charges prepaid in which shall appear to DMC's satisfaction, after DMC's inspection, to have being defective in material or workmanship, it being understood that DMC products are not consumer products. This warranty shall not cover any damage to any product which, in the opinion of DMC, was caused by normal wear, misuse, improper operation, tampering, neglect or accident. This warranty is in lieu of all other warranties express or implied. No warranty, express or implied, is made or authorized to be made or assumed with respect to products of Daniels Manufacturing Corporation other than those herein set forth.