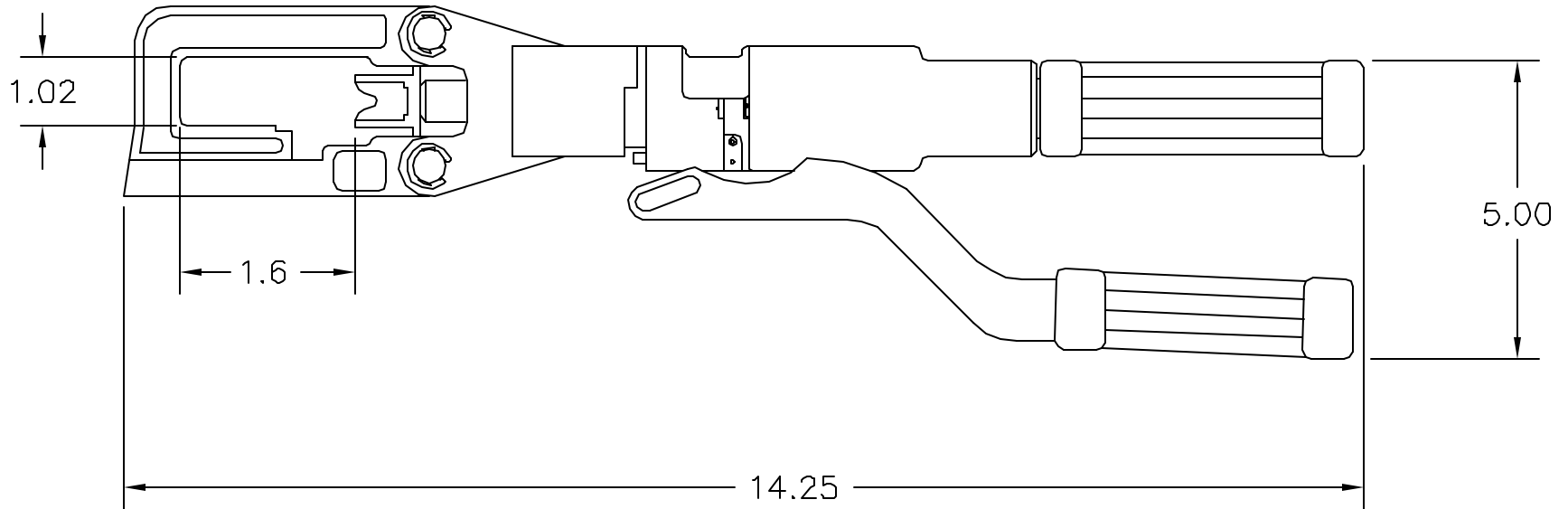



**UNCONTROLLED DOCUMENT
WILL NOT BE UPDATED**

REVISIONS				
REV. SYM.	E.C.O. NUMBER	DESCRIPTION	BY DATE	APP'D DATE
1		ORIGINAL RELEASE	JMC 7-13-00	JWJ 7-13-00



1. HANDLE IS 10.25 WHEN OPEN.

NOTES:

<p>RESTRICTED & CONFIDENTIAL CONFIDENTIAL PROPERTY OF DANIELS MANUFACTURING CORP. NOT TO BE DISCLOSED TO OTHERS, REPRODUCED OR USED FOR ANY OTHER PURPOSE EXCEPT AS AUTHORIZED IN WRITING BY DANIELS MANUFACTURING. MUST BE RETURNED TO DANIELS MANUFACTURING CORP. ON COMPLETION OF ORDER OR OTHER PURPOSES FOR WHICH LENT.</p>	MATERIAL	ITEM	PART NO.	QTY.	DESCRIPTION/REMARKS
		DRN.	JMC	DATE 7-13-00	 DANIELS MANUFACTURING CORP. ORLANDO, FLORIDA CAGE 11851
<p>DO NOT SCALE DRAWING</p>	HEAT TREAT	CHK'D.	JWJ	DATE 7-13-00	
		APP'D.		DATE	
	FINISH	APP'D.		DATE	SIZE A SCALE NTS CAD P/N HD51-ENV SHEET 1 OF 1 POSTING P/N HD51-ENV REV. 1