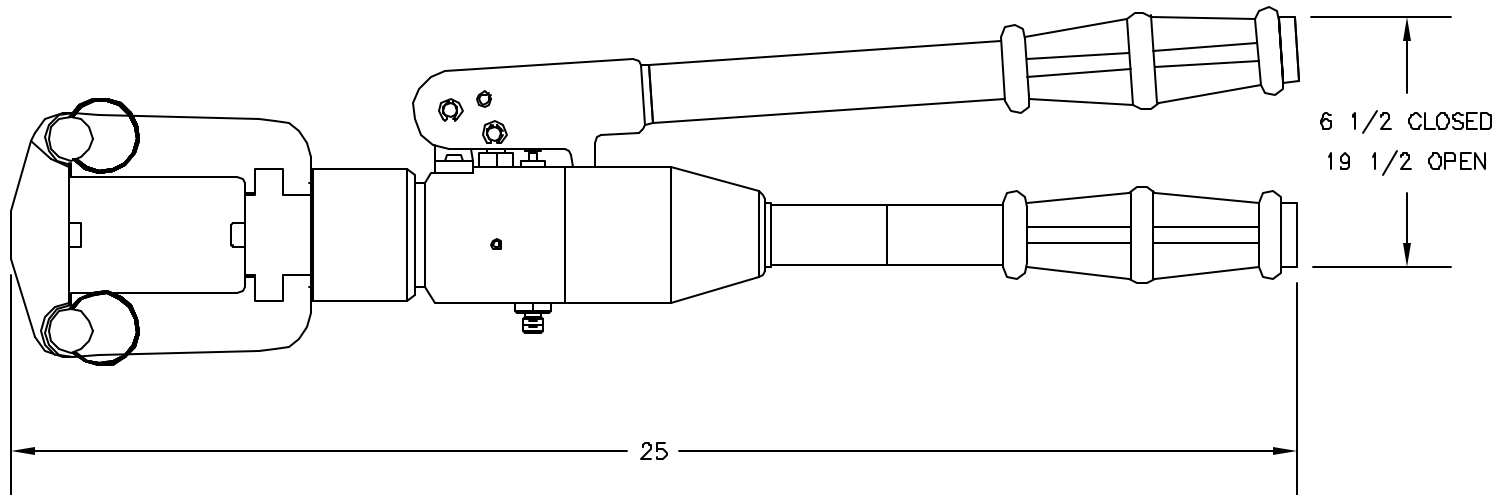



REVISIONS				
REV. SYN.	E.C.D. NUMBER	DESCRIPTION	BY DATE	APPD DATE
1		ORIGINAL RELEASE	JWJ 1/8/01	RRR 1/8/01



**UNCONTROLLED DOCUMENT
WILL NOT BE UPDATED**

RESTRICTED & CONFIDENTIAL CONFIDENTIAL PROPERTY OF DANIELS MANUFACTURING CORP. NOT TO BE DISCLOSED TO OTHERS, REPRODUCED OR USED FOR ANY OTHER PURPOSE, EXCEPT AS AUTHORIZED IN WRITING BY DANIELS MANUFACTURING. MUST BE RETURNED TO DANIELS MANUFACTURING CORP. ON COMPLETION OF ORDER OR OTHER PURPOSE FOR WHICH LENT.	MATERIAL	ITEM	PART NO.	QTY.	DESCRIPTION/REMARKS	
	HEAT TREAT	DRN	J. JOYCE	DATE	 DANIELS MANUFACTURING CORP. ORLANDO, FLORIDA CAGE 11851	
		CHK'D.	RRR	DATE		
	FINISH	APP'D.		DATE		TITLE
APP'D.			DATE	CRIMPING TOOL ENVELOPE DRAWING		
DO NOT SCALE DRAWING				WHERE USED:		
		SIZE	SCALE	DWG P/N	SHEET	OF
		B	NTS	HH80C-ENV	1	1
		POSTING		P/N	HH80C-ENV	REV.
						1