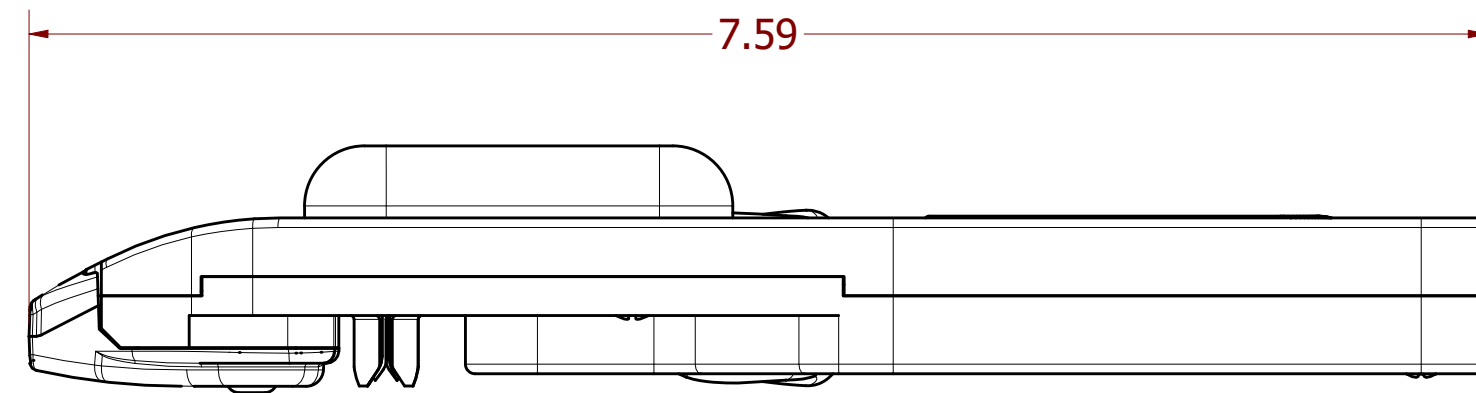


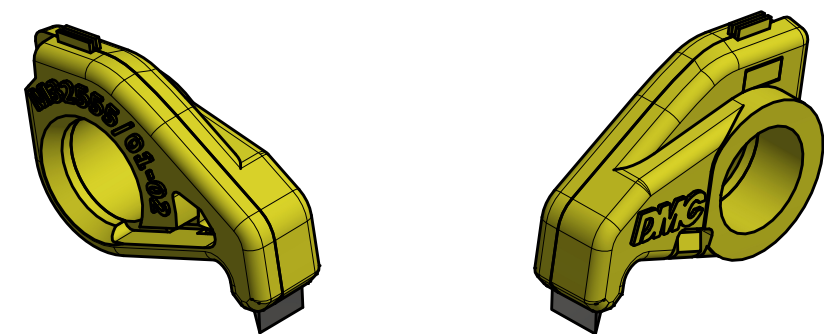
REVISIONS						
REV	ECO NO.	DESCRIPTION	BY	DATE	APP'D BY	DATE
1		ORIGINAL RELEASE	K. KOONS	11/30/2022	JC	11/30/2022
2		ADDED MIL-SPEC PART NUMBERS	K. KOONS	2/2/2023		



ISOMETRIC VIEW  
REF ONLY

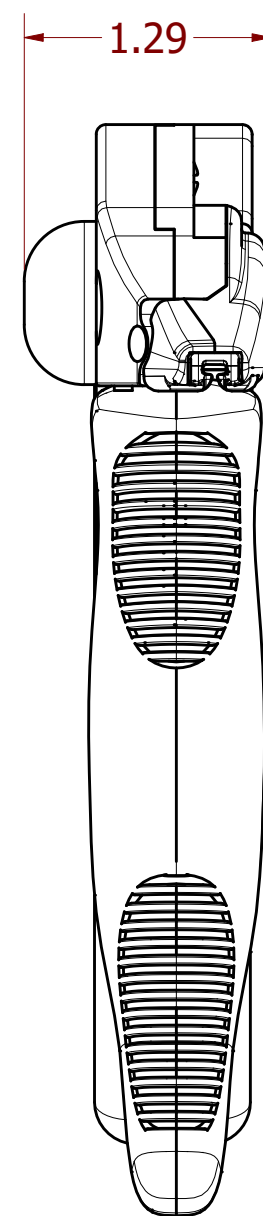
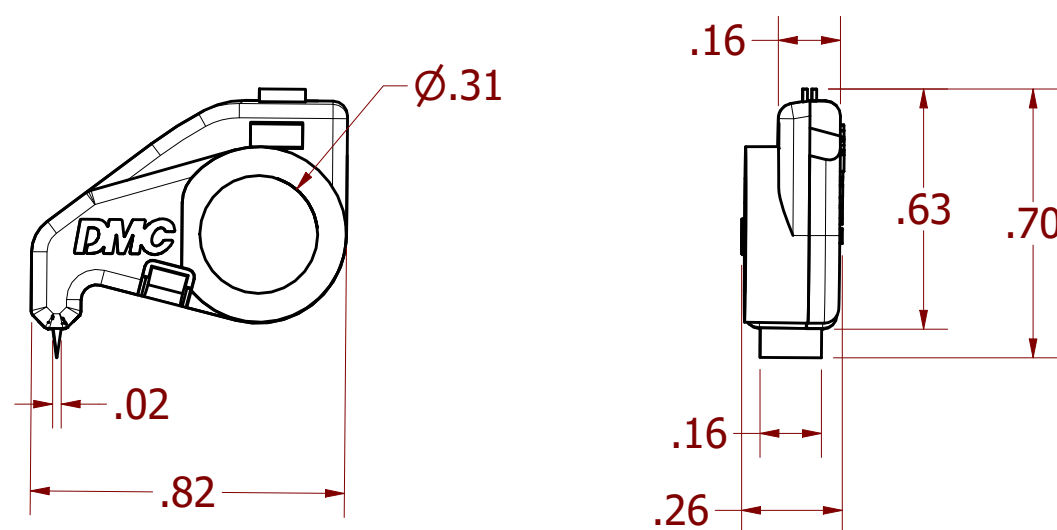


7.59



ISOMETRIC VIEW  
REPLACEABLE BLADE  
DLT-1100-SA5  
(M32555/01-02)

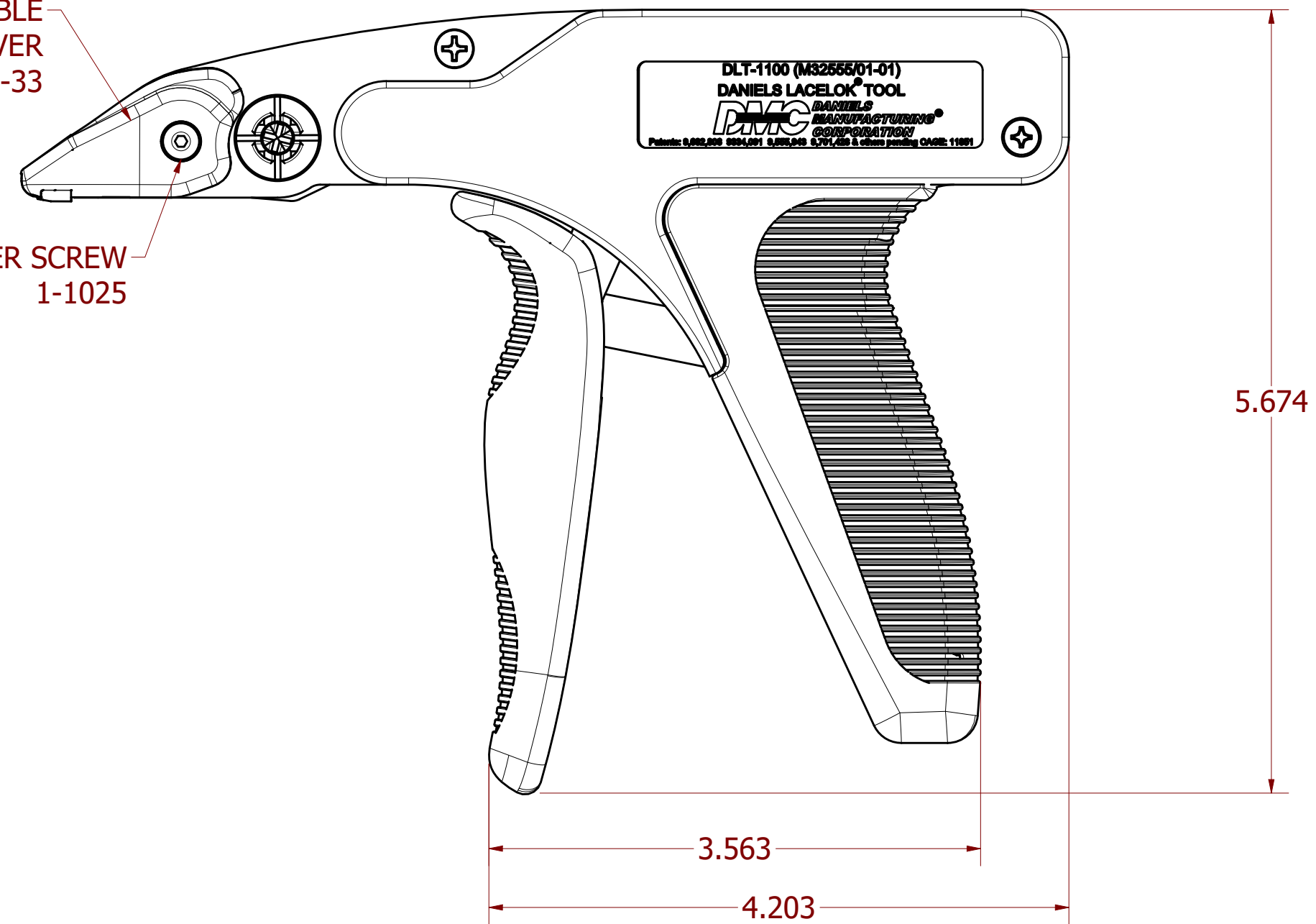
2



1.29

REPLACEABLE  
NOSE COVER  
DLT-1100-33

NOSE COVER SCREW  
1-1025



5.674

3.563

4.203

**UNCONTROLLED DOCUMENT  
WILL NOT BE UPDATED**

DIMENSIONS IN INCHES - UNLESS OTHERWISE SPECIFIED

NOTES:

**RESTRICTED & CONFIDENTIAL**  
CONFIDENTIAL PROPERTY OF DANIELS MANUFACTURING CORP. NOT TO BE DISCLOSED TO OTHERS. REPRODUCTION OR USED FOR ANY OTHER PURPOSE EXCEPT AS AUTHORIZED IN WRITING BY DANIELS MANUFACTURING. MUST BE RETURNED TO DANIELS MANUFACTURING CORP. ON COMPLETION OF ORDER OR PURPOSES FOR WHICH LENT.

DRN. KIRK C KOONS	DATE 5/5/2021	INTERPRET PER ASME Y14.5M-2018	
CHK'D JC	DATE 5/24/2021	DANIELS MANUFACTURING CORP. ORLANDO, FLORIDA CAGE 11851	
APP'D JC	DATE 1/25/2022		
NOTE: THIS DRAWING IS AN OUTLINE DRAWING OF THE RESPECTIVE DMC PART NUMBER INDICATED.		TITLE LaceLok INSTALLATION TOOL-M32555/01-01 ENVELOPE DRAWING	2
WHERE USED:	SIZE C	SCALE N.T.S.	CAD NO. DLT-1100-ENV
			SHEET 1 OF 1
			REV. 2
			PART NO. DLT-1100